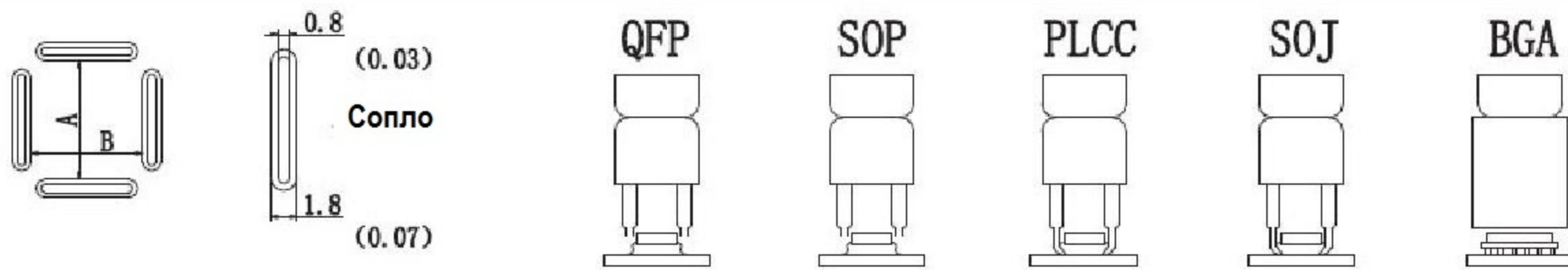
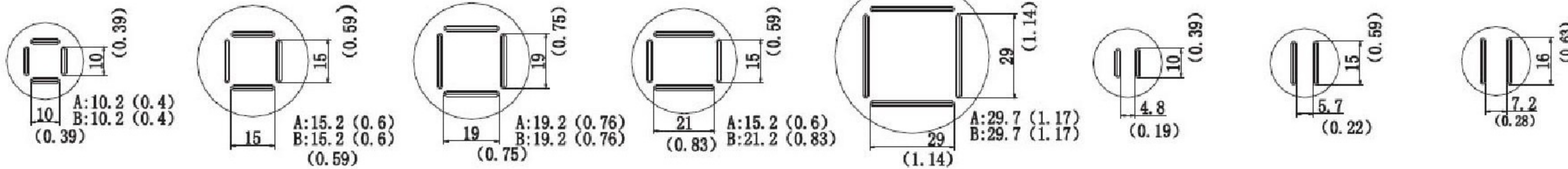


**ЗАМЕЧАНИЕ**

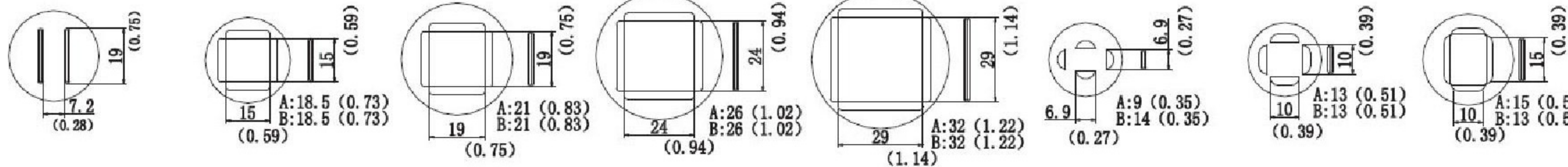
Размеры в наименованиях указывают на габариты корпуса ИС



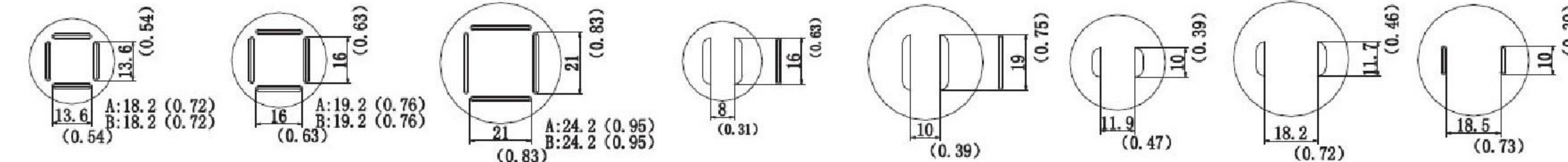
NK3125 QFP 10×10 (0.39×0.39)    NK3126 QFP 14×14 (0.55×0.55)    NK3127 QFP 17.5×17.5 (0.68×0.68)    NK3128 QFP 14×20 (0.55×0.78)    NK3129 QFP 28×28 (1.1×1.1)    NK3131 SOP 4.4×100.17×0.39    NK3132 SOP 5.6×180.22×0.51    NK3133 SOP 7.5×160.3×0.59



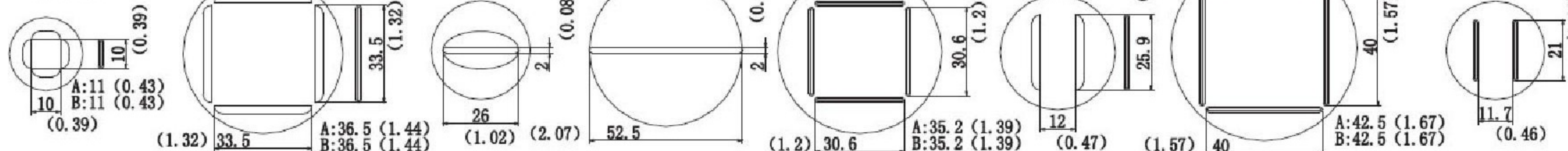
NK3134 SOP 7.5×180.3×0.7    NK3135 PLCC 17.5×17.5 (0.68×0.68) (44 Pins)    NK3136 PLCC 20×20 (0.78×0.78) (52 Pins)    NK3137 PLCC 25×25 (0.98×0.98) (68 Pins)    NK3138 PLCC 30×30 (1.18×1.18) (84 Pins)    NK3139 PLCC 12.5×7.3 (0.49×0.29) (84 Pins)    NK3140 PLCC 11.5×11.5 (0.45×0.45) (28 Pins)    NK3141 PLCC 11.5×14 (0.45×0.55) (32 Pins)



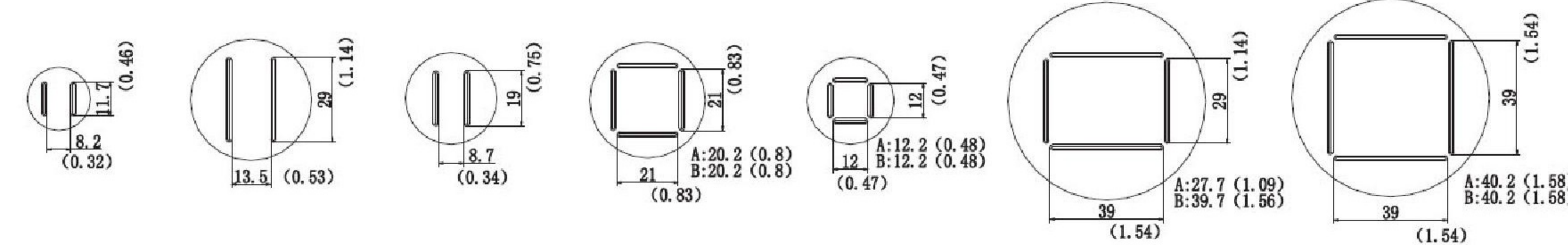
NK3180 BQFP 17×17 (0.67×0.67)    NK3181 BQFP 19×19 (0.75×0.75)    NK3182 BQFP 24×24 (0.94×0.94)    NK3183 SOJ 15×8 (0.59×0.31)    NK3184 SOJ 18×8 (0.71×0.31)    NK3185 TSOJ 13×10 (0.51×0.39)    NK3186 TSOJ 18×10 (0.71×0.39)    NK3187 TSOJ 18.5×8 (0.73×0.31)



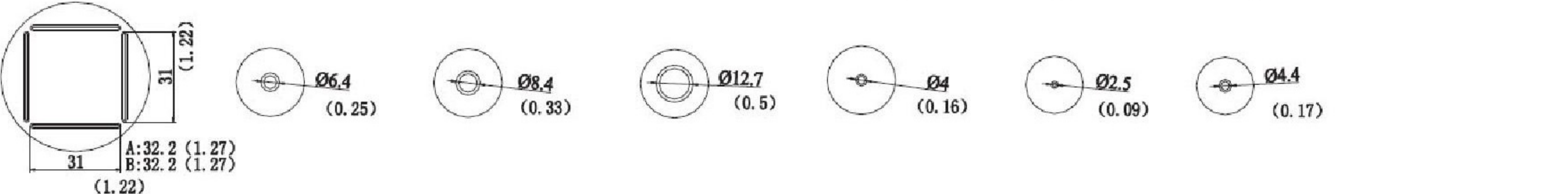
NK3188 PLCC 9×9 (0.35×0.35) (20 Pins)    NK3189 PLCC 34×34 (1.34×1.34) (100 Pins)    NK3191 SIP 25L (0.98)    NK3192 SIP 50L (1.97)    NK3203 QFP 35×35 (1.38×1.38)    NK3214 SOJ 10×26 (0.39×1.02)    NK3215 QFP 42.5×42.5 (1.67×1.67)    NK3257 SOP 11×21 (0.43×0.83)



NK3258 SOP 7.6×12.7 (0.3×0.5)    NK3259 SOP 13×28 (0.51×1.1)    NK3260 SOP 8.6×18 (0.34×0.71)    NK3261 QFP 20×20 (0.78×0.78)    NK3262 QFP 12×12 (0.47×0.47)    NK3263 QFP 28×40 (1.1×1.57)    NK3264 QFP 40×40 (1.57×1.57)



NK3265 QFP 32×32 (1.26×1.26)    NK2064 Single ø6.4 (0.25)    NK2084 Single ø8.4 (0.33)    NK2127 Single ø12.7 (0.5)    NK1120 Single ø4 (0.16)    NK1124 Single ø2.5 (0.09)    NK1130 Single ø4.4 (0.17)



NK2280 BGA 24×24 (0.94×0.94)    NK2281 BGA 26×26 (1.02×1.02)    NK2282 BGA 31×31 (1.22×1.22)    NK2283 BGA 38×38 (1.5×1.5)    NK2284 BGA 41×41 (1.6×1.6)    NK2285 BGA 44×44 (1.7×1.7)    NK2286 BGA 15×15 (0.6×0.6)

